

## Tankless compact pressurized solar water heater Kit Solar Compact



The using environment should be  $\geq 0^{\circ}\text{C}$ .

### INSTALLATION MANUAL



#### Dear customers:

1. Congratulation on your purchase of our solar water heater products. For your convenience and safe use, please read the instructions carefully before use and follow the instructions. The models mentioned in this manual are subject to continuous improvement without prior notice. If there is a physical object that does not conform to the instructions, the actual product shall prevail.
2. We insist on honesty and trustworthiness as the foundation, treat people with sincerity. We provide a wide range of national after-sales service network, we provide you with perfect service, the real solution to your troubles.

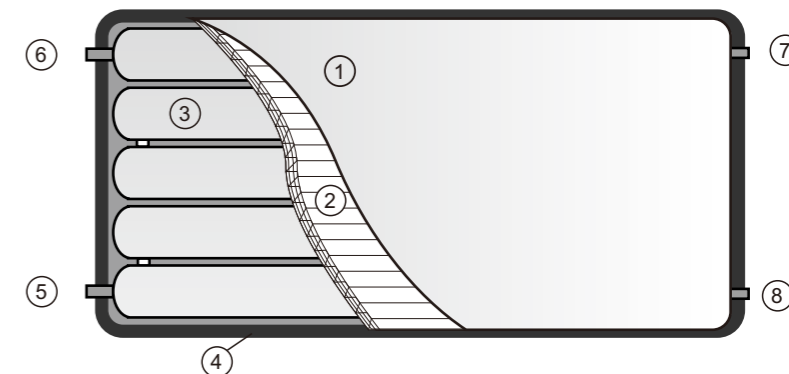
#### Notes:

1. The installation may only be carried out by the qualified professionals.
2. The pipes must be insulated with a suitable UV resistant material of the appropriate thickness in order to reduce heat loss and protect the pipes from freezing.
3. If you choose the model with heating element and controller function, you must have reliable grounding. It is strictly forbidden to use this product without reliable grounding.
4. To avoid scalding, when the temperature of hot water is higher than  $50^{\circ}\text{C}$ , it must be mixed with cold water before use.
5. It should be installed in a sunny and open area for getting high efficiency.
6. Unfiltered water can cause system corrosion, it is recommended to use soft water.
7. The system may only be installed on a roof surface. The static load-bearing capacity of the roof must be checked in accordance with local and regional stipulations at the site prior to the installation of the panels, if necessary by means of the commissioning of a structural engineer.

Please observe the installation instructions, the company will not be responsible for damage and safety accidents caused by improper operation of the user!

### 1. Specification characteristics:

- A. The structure is simple and easy to install. The heat collecting parts and the water tank are combined into one. The circulation of hot and cold water and the flow heating process are carried out internally.
- B. The product is easy to promote and use. It is very suitable for ordinary people's domestic hot water demand.



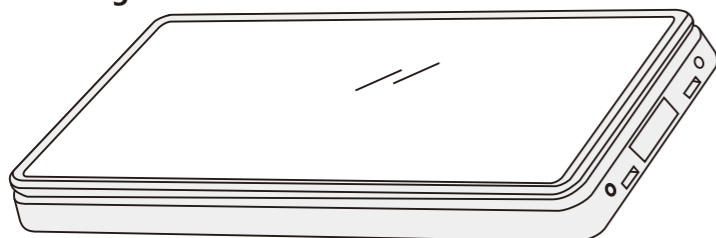
1. Tempered safety solar glass
2. Clear heat insulation
3. Storage tank
4. Case
5. Drain hole
6. Outlet hole
7. Reserved hole
8. Inlet hole

## 2. Technical data & packing list

### 2.1 Technical data

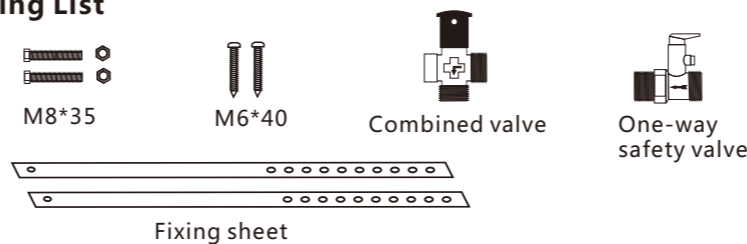
MODEL	150L	300L
Gross area	1.905m <sup>2</sup>	1.905m <sup>2</sup> *2
Dimensions (LxWxH)	2140x890x226mm	2140x890x226mm*2
Weight	42kgs	42kgs*2
Capacity	150L	300L
Insulation	ESPP	ESPP
Max. operating temperature	85 °C	85 °C
Max. operating pressure	4 bar	4 bar
Heating rod (optional)	1.5KW	1.5KW
Connections	2X3/4" male thread	2X3/4" male thread
Installation	Flat roof/Slope roof	Flat roof/Slope roof
Users		

### 2.2 Packing List

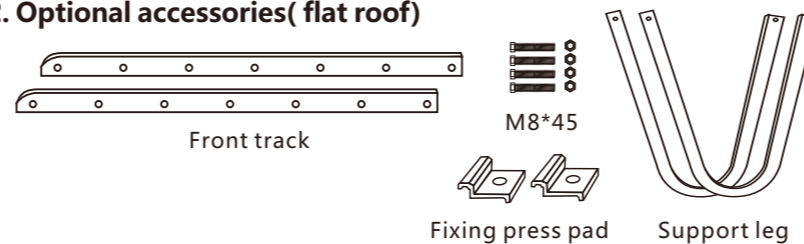


## 3. Accessories list

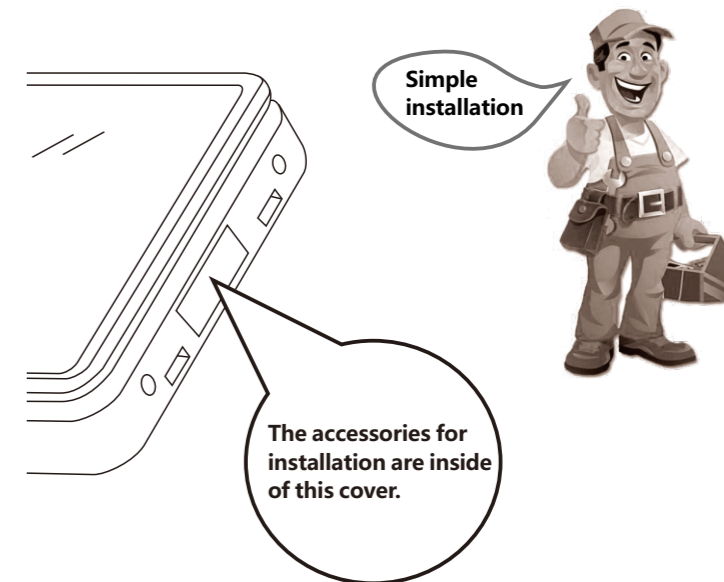
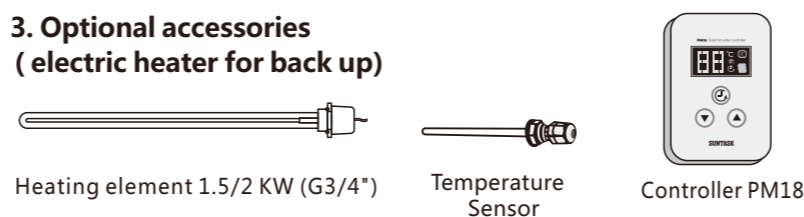
### 1. Packing List



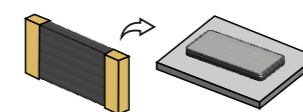
### 2. Optional accessories( flat roof)



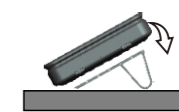
### 3. Optional accessories ( electric heater for back up)



### 1. Open package



### 2. Mount



### 3. Plug&Use



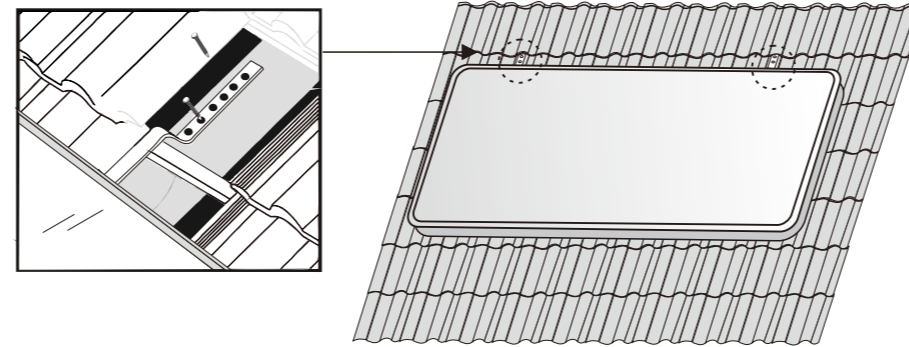
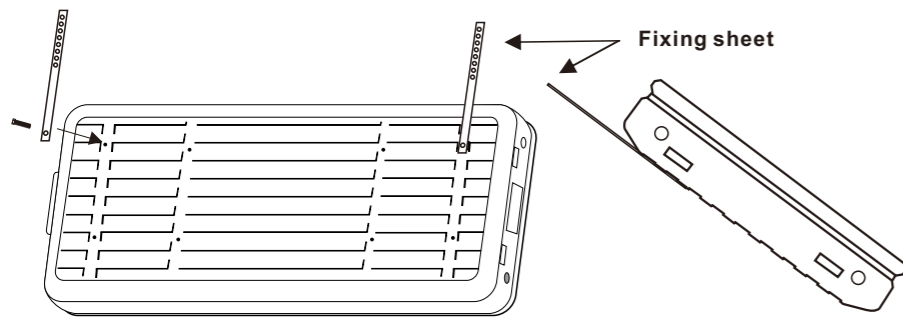
## 4. Installation

### 4.1 Prepare before installation:

1. Check the outer shell whether it is well.
2. Check if the accessories are complete against the packing list.
3. Please prepare the necessary tool before the installation. Tie the safety rope and take other protective measures during the high altitude operation.

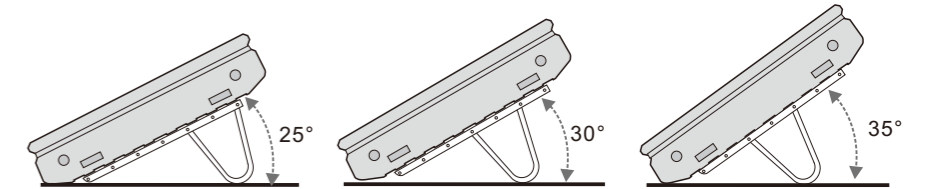
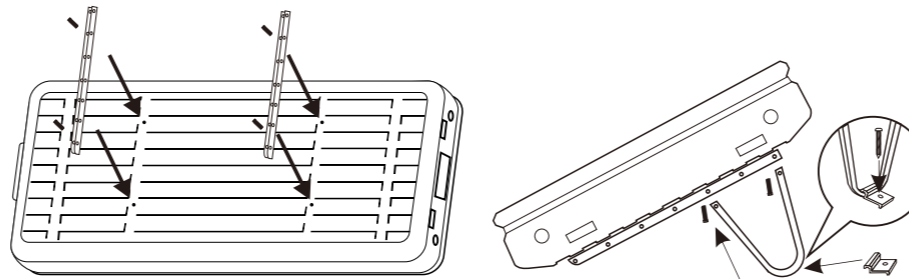
### 4.2 On-roof installation

1. Fix the fixing sheet on the back of SPM.
2. Turn over the SPM and fix the fixing sheet on the beam of the roof.
3. Cover the tile back.

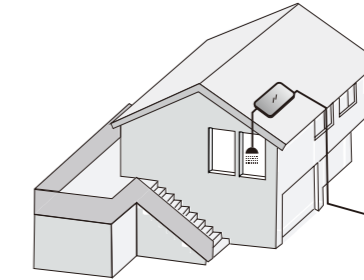


### 4.3 Flat roof installation

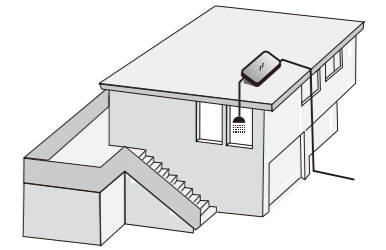
1. Fix the front track on the back of SPM.
2. Turn over the SPM and fix the support leg with the front track according to the suitable angle.
3. Use the fixing press pad fix the support leg with the flat roof.



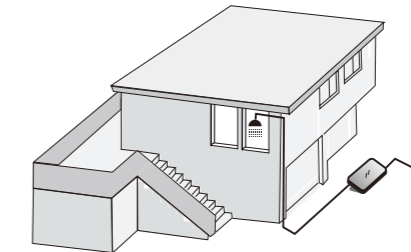
Choose a suitable angle according to the local latitude



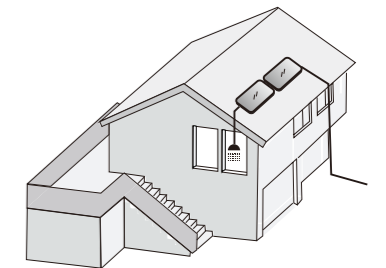
1 Pitched roof installation



2 Flat roof installation



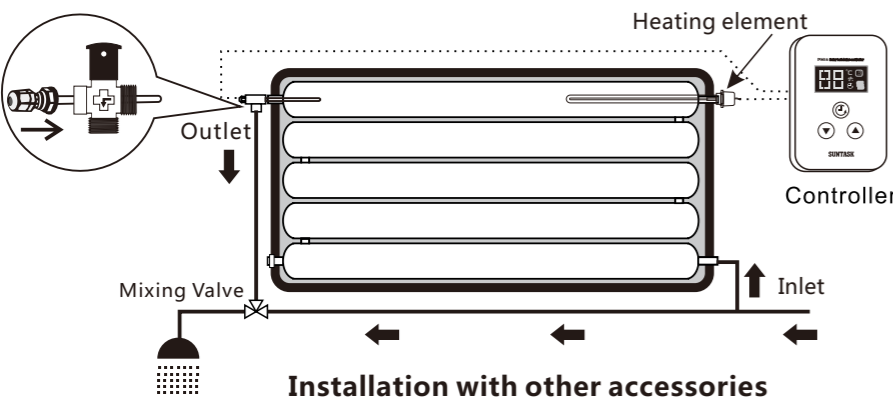
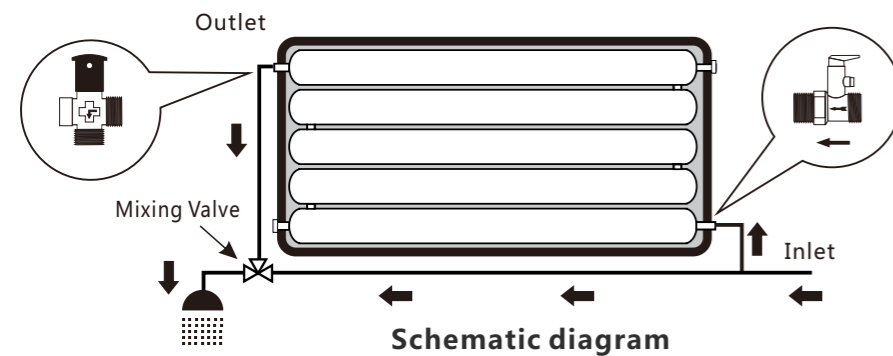
3 Installation in front of the building



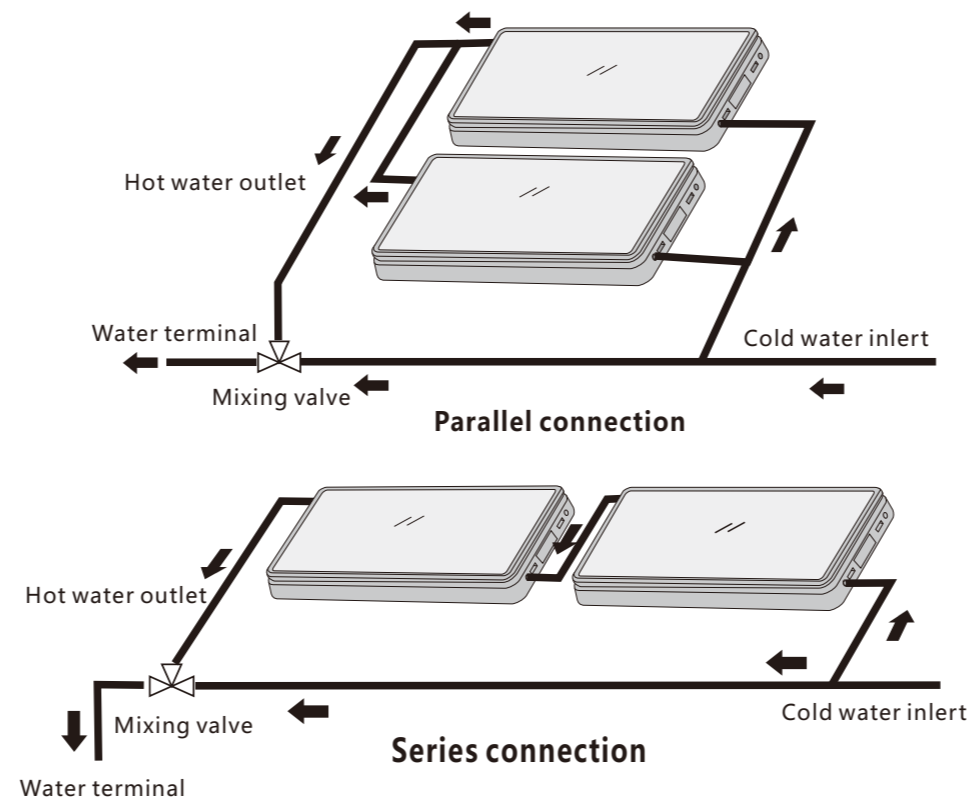
4 Connected in parallel

## 5. Connection method

Install the combined valve at the water inlet according to the drawing. Pay attention to the direction of the valve.



## 6. Several panels' combined installation



## 7. User instruction

### 7.1 Trouble shooting

Trouble	Trouble Reason	Solution
Water is not hot in sunny day	The front of solar water heaters have covering, high tower, trees, tall buildings, fences or other water heaters, short sunshine, causing the water temperature is low	Remove the covering or move the solar water heaters to the place without covering
	Hot outlet valve got leakage or can not closed well	Checking the valve of hot water
No hot water come down	No water supply or inlet valve damaged	Check or change the inlet valve
No hot water come down during winter time	Heat loss from the pipeline	Add insulation pipe for the hot water pipelines

### 7.2 Daily maintenance and Cleaning

If the areas are dry with large dust, it will reduce the reflecting rate when the dust adhere to the surface of the collector. So the surface of the collector should be cleaned at least half year or one year according to the dirt condition.

Notes: You must ask the professional workers to help do it.

## 8. Warranty ordinance

Thank you for using our company's solar water heater.

Our company will take service on the list for you which according to the rules by the Protection of Consumers' Right and Interests: the products can be exchanged free if the products have manufacturing defects or quality issues, warranty is three years for the main machine, and one year for accessories.