

Micro inverter

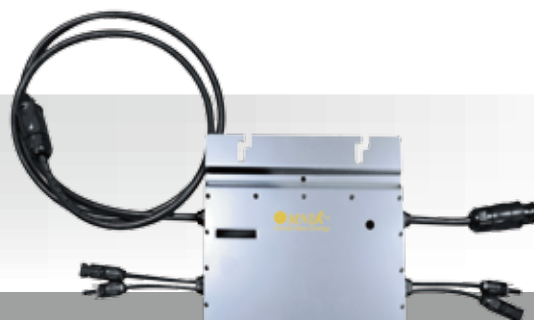
Omniksol-M300/Omniksol-M600

15

year
Warranty



M300



M600

product features

Features

- Standard 15 years warranty, 5-25 years optional
- High efficiency (Max. 96.7%)
- AC/DC high frequency isolation technology
- Maximum connection of 14 Micro-inverters
- Adopted electric power carrier communication
- Easy design, Plug-and-play chain installation
- Remote monitor to each module
- Reduce shading issues, improve the generating
- Reduce shading issues, improve the generating
- integrated ENS function, complied with safety standard, can be connected to grid directly

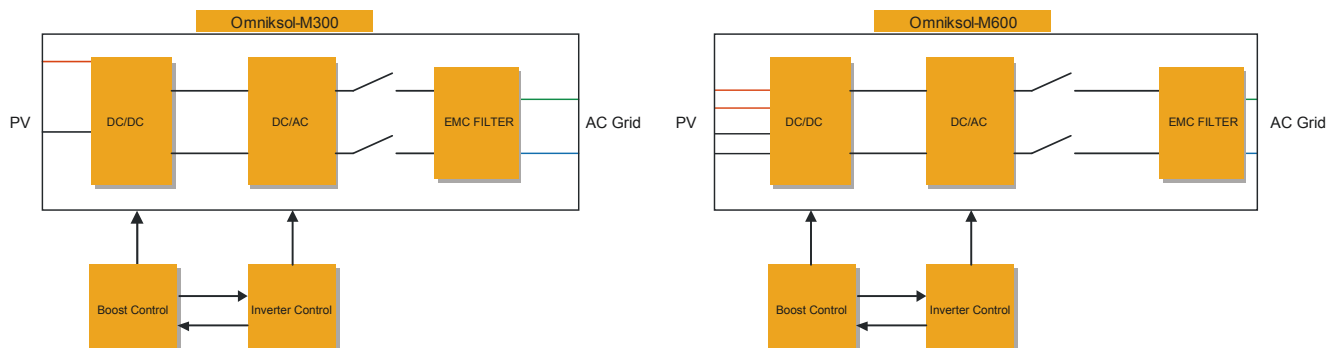
Advantages

- Longer life cycle
- Plug and play
- Free monitoring fee for data transmission
- Very lower internal temperature
- Easy transportation and installation
- Faster CPU speed
- Adjustable active and reactive power
- PID effect protect
- Real-time data readable at night

Benefits

- More stable and reliable
- No commissioning work to get real-time remote monitoring
- More convenient monitoring solution without any charge
- Longer life cycle
- Saving storage and installation space
- Higher inverter control accuracy
- Meet the latest certification and regulations
- Increase system payback ability
- Increase the electricity generation of the system in shading environment

Block Diagram

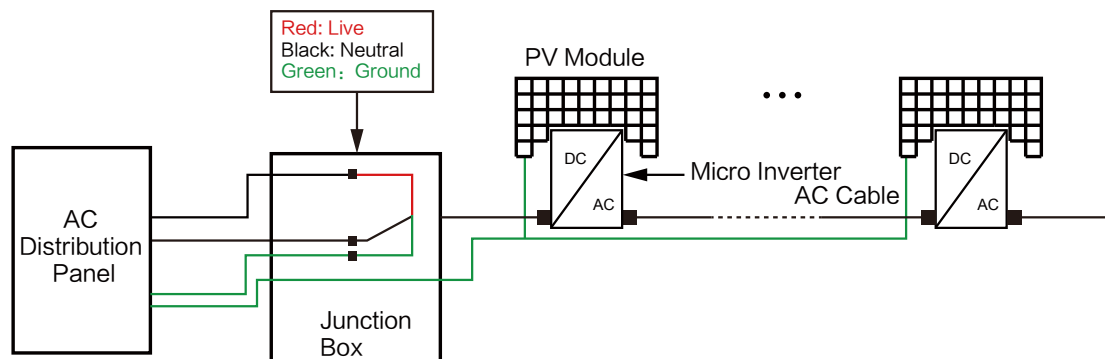


Technical Date

Omniksol-M300/Omniksol-M600

| Type | Omniksol-M300 | Omniksol-M600 |
|--------------------------------------|---|---------------------------------------|
| Input (DC) | | |
| Recommended PV Module Power | 200-310W | 2x (200-310) W |
| Max DC Voltage | 60V | 60V |
| Operating Voltage Range | 16-60V | 16-60V |
| MPPT Voltage Range at Nominal Power | 27-48V | 27-48V |
| Maximum Input Current | 10.0A | 10.0Ax2 |
| Maximum DC Short Circuit Current | 14A | 15A |
| Output (AC) | | |
| Nominal AC Power | 250W | 500W |
| Nominal AC Current | 1.09A(230V), 1.04 (240V), 1.2A(208V) | 2.17A(230V), 2.08 (240V), 2.4A(208V) |
| Nominal Grid Voltage | 230V/240V/208V | 230V/240V/208V |
| Nominal Grid Frequency | 50Hz/60Hz | 50Hz/60Hz |
| Grid Voltage Range* | 230V/200-270V,240V/211-264V,208V/183-229V | |
| Grid Frequency Range* | 45.5-54.5Hz/57-62.5Hz | 45.5-54.5Hz/57-62.5Hz |
| Power Factor | >0.99 | >0.99 |
| Total Harmonic Distortion (THD) | <3% | <3% |
| Night time Power Consumption | <50mW | <50mW |
| Maximum Units Per Branch | 14 | 7 |
| Efficiency | | |
| Max. Efficiency | 96.7% | 96.7% |
| CEC Weighted Efficiency | 96.5% | 96.5% |
| MPPT Efficiency | 99.5% | 99.5% |
| Physical Structure | | |
| Dimensions(W*H*D) | 252x164x28mm | 252x250x28mm |
| Weight | 1.5kg | 2.5kg |
| Environmental Protection Rating | IP 67/NEMA 6 | |
| Cooling Concept | Natural convection | |
| Overvoltage Category | PV II / Mains III (According to IEC 62109-1) | |
| Reference Standard | | |
| Safety Standard | EN 62109, AS/NZS 3100,UL 1741 | |
| EMC Standard | EN 61000-6-1, EN 61000-6-3, EN 61000-6-2, EN 61000-6-4, EN61000-3-2, EN61000-3-3 | |
| Grid Standard | VDE-AR-N-4105, VDE 0126-1-1, G83/2, UTE C15-712-1, AS4777,NB/T 32004-2013, CEI 0-21 , SAACSA,IEEE1547 | |
| General Data | | |
| Operating Ambient Temperature Range | -40 °C to +65 °C | |
| Operating Internal Temperature Range | -40 °C to +85 °C | |
| Isolation Type | HF transformer isolation | |
| Communication | Wire communications | |
| Warranty | 15 Years (5-25years optional) | |

Wiring diagram



Address: No.80,XinZeRoad,SIP,
215123, SuZhou, China

Tel: +86-512-6956-8216

Fax: +86-512-6295-6682

E-mail: sales@omnik-solar.com

Website: <http://www.omnik-solar.com>

Products updating continues. Any data change will not be informed exclusively.
Omnik company reserves the right of final interpretation of product technical data and copyrights.



Omnik New Energy Co., Ltd.