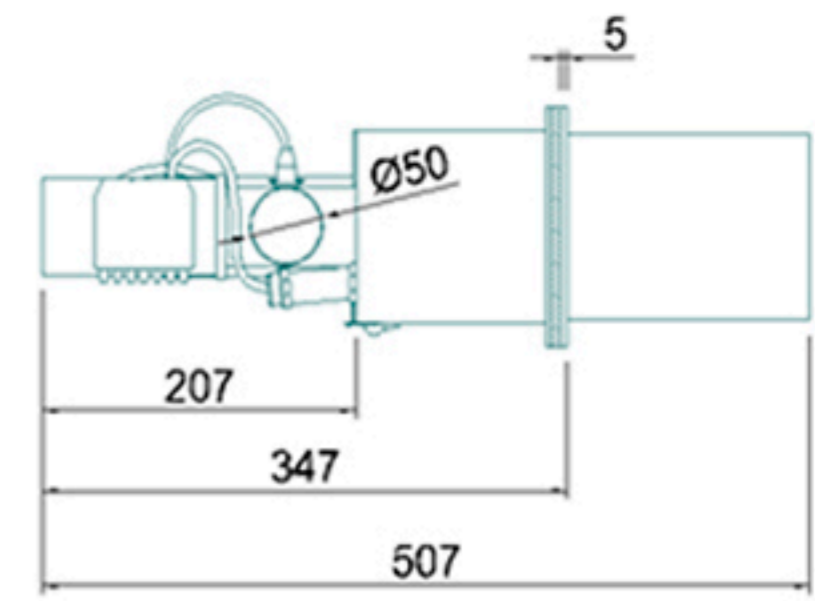
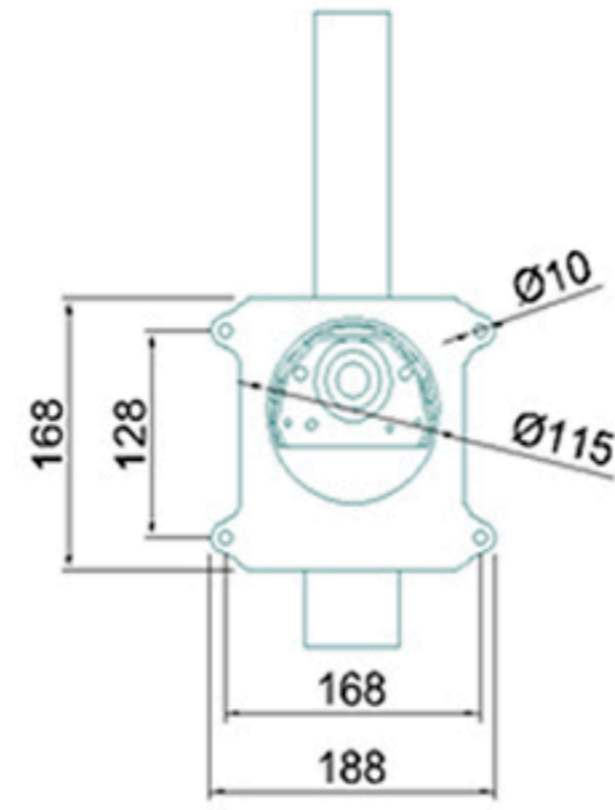
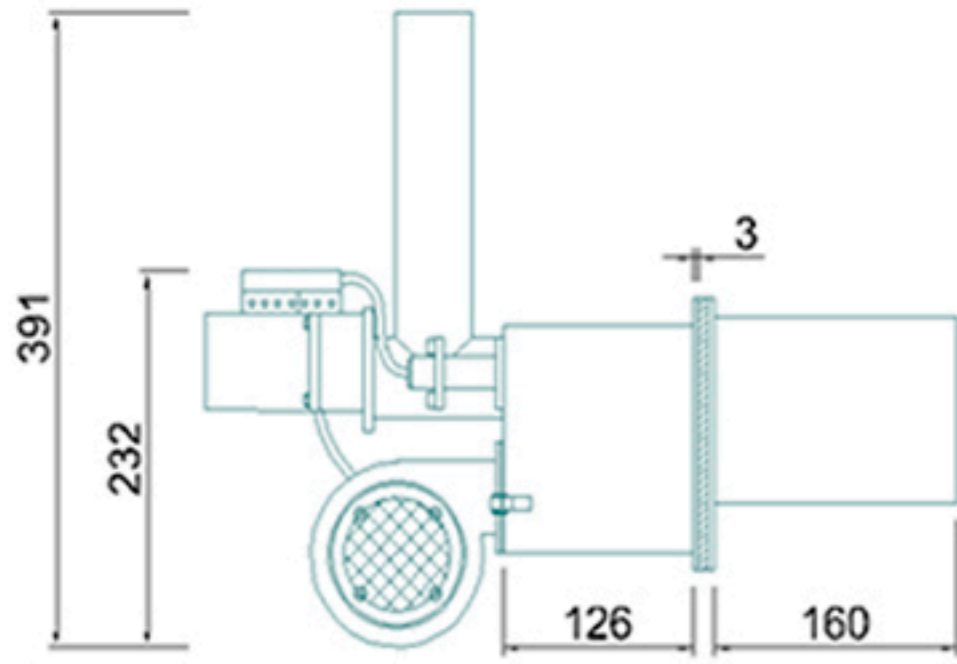
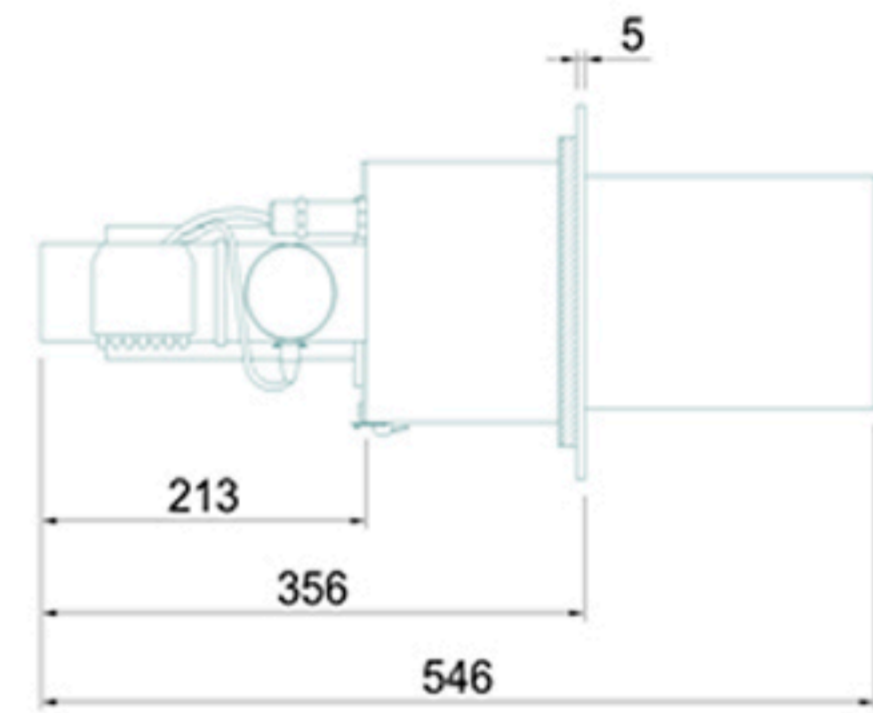
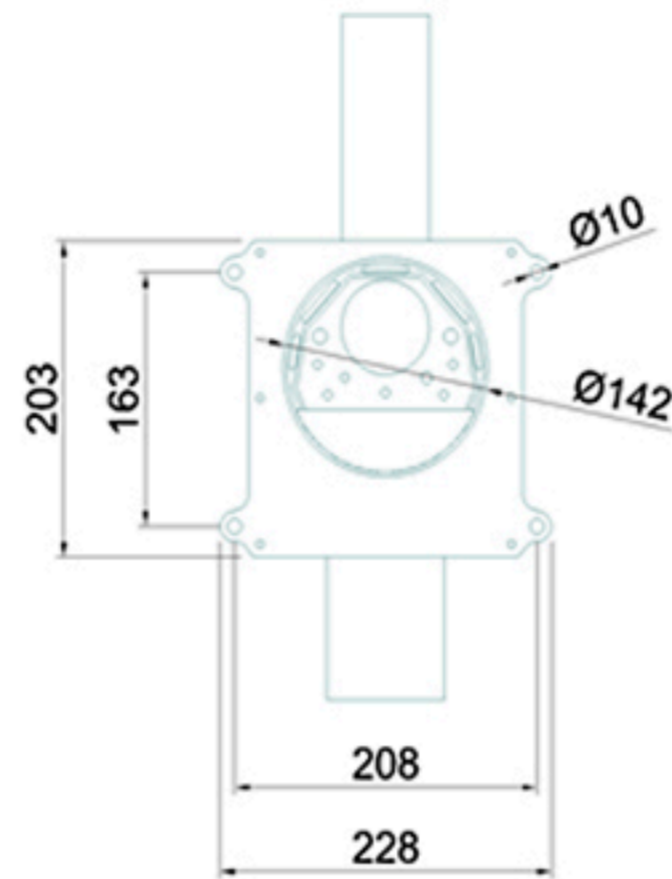
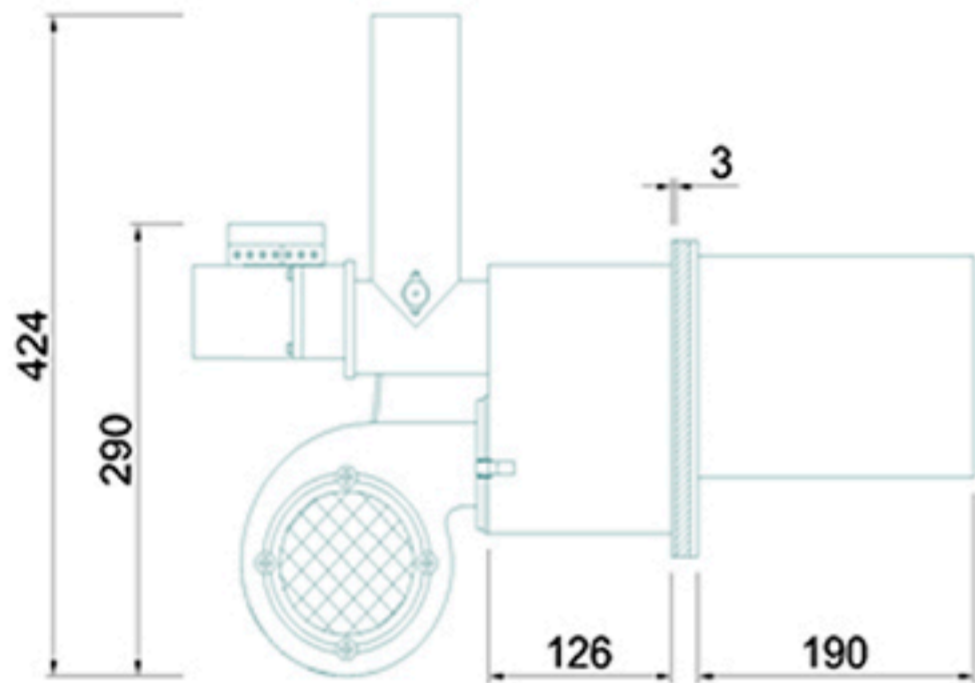


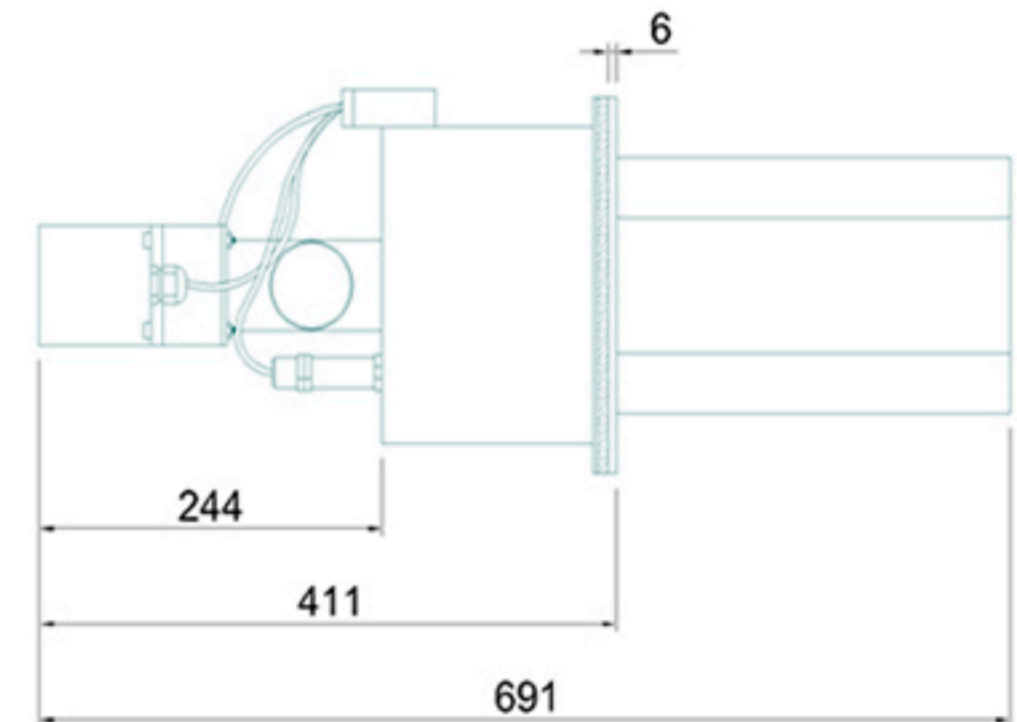
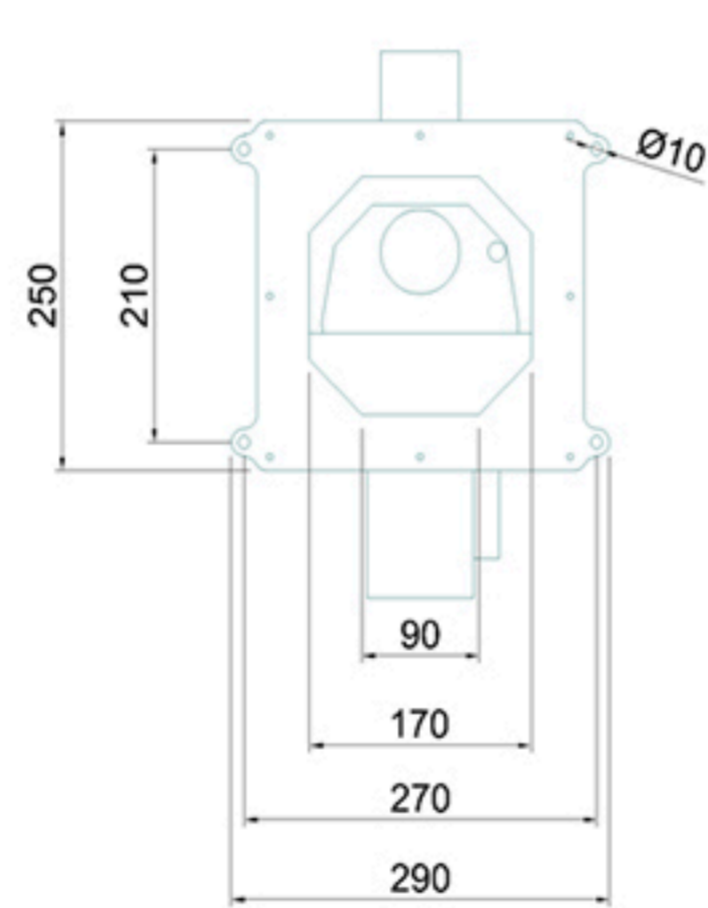
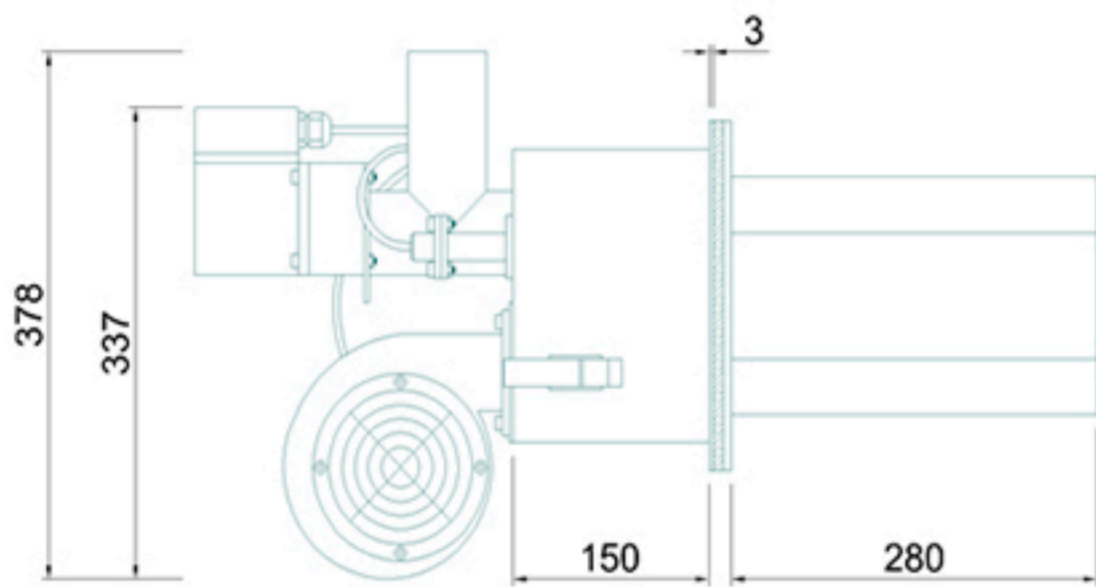
Y-20 (5-25kW)



Y-50C (5-55kW)



Y-70C (10-85kW)



Y-100 (15-145kW)

